

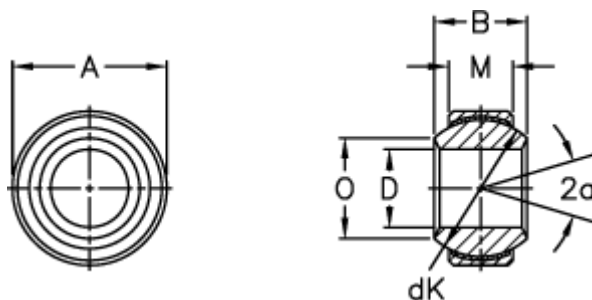
Data Sheet



Article number: 03508035

Description: Fluro Rod end GE 35FW-2RS

Measures



A	= 62 0 -0,013	Tilt angle = 16
B	= 35	Weight = 380
D	= 35 0 -0,012	
dK	= 53	
Dynamic load C (kN)	= 185	
M	= 22	
O	= 39.7	
Static load C0 (kN)	= 370	